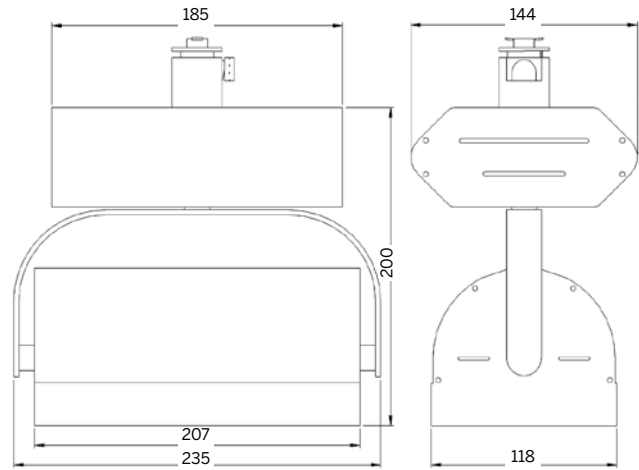


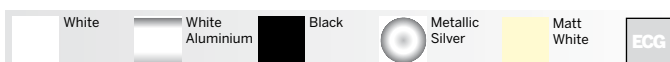
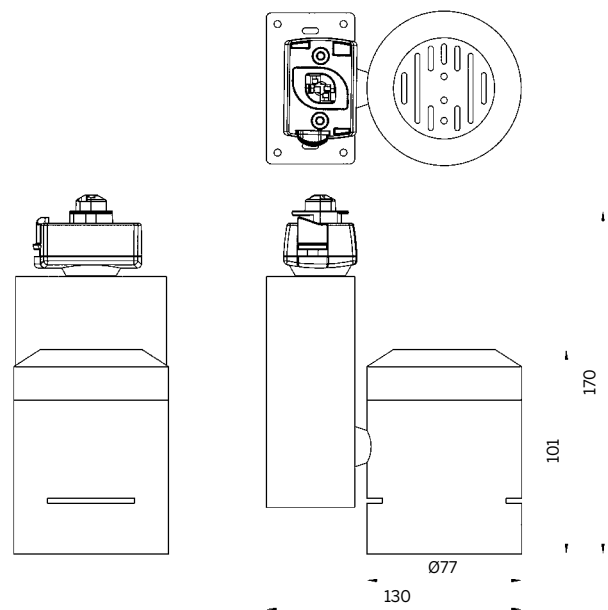
Metal Halide



lamp	article no.	voltage	beam angle
70W	Alpha M	230V	100° /115°
150W			100° /115°



lamp	article no.	voltage	beam angle
20W	Phoenix 20W CDM	230V	10° , 34° , 62°



Other colours available on request