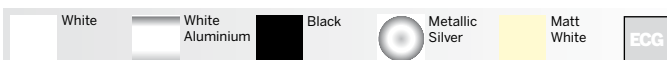
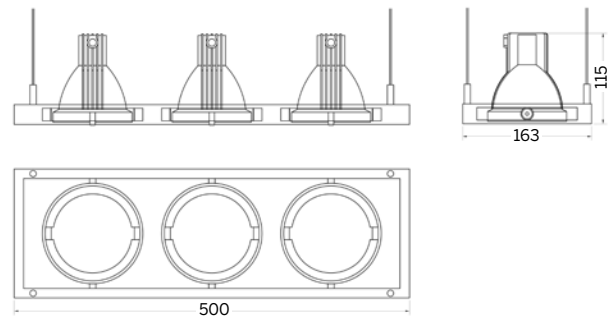


- Metal Halide
- Reflectors replaceable without tools
- Y-wire suspension
- Light head individually adjustable
- No light loss in housing when light head is pivoted



lamp	article no.	voltage	beam angle
35W	Picco Triple Pendant	230V	14°, 24°, 34°, 70°
70W			14°, 24°, 34°, 70°



Other colours available on request