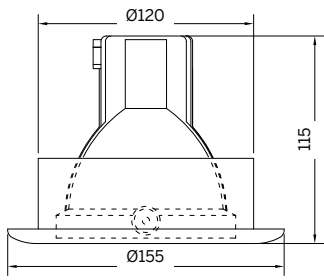
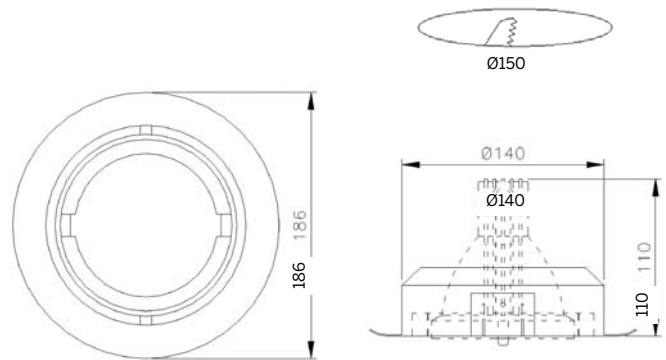



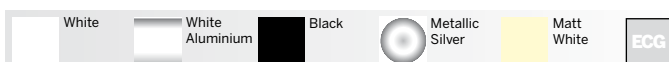
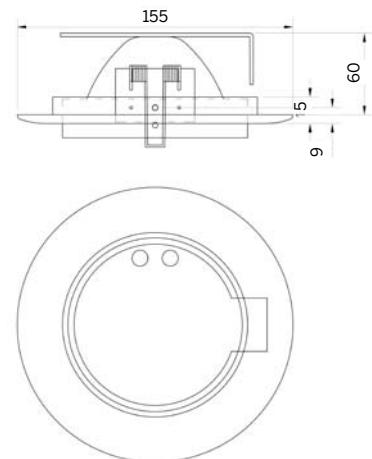
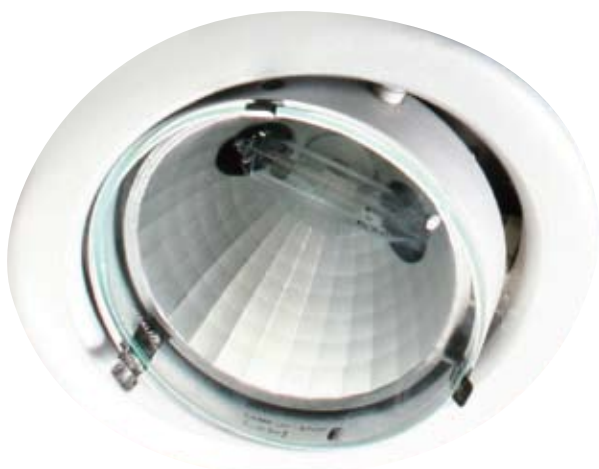
■ Metal Halide



	lamp	article no.	voltage	beam angle
	35W	RDP30A Full Tilt	230V	14°, 24°, 34°, 70°
	70W	RDP30 Half Tilt	230V	14°, 24°, 34°, 70°



	lamp	article no.	voltage	beam angle
	35W	RDP30 Horizontal	230V	14°, 24°, 34°, 70°
	70W			14°, 24°, 34°, 70°



Other colours available on request