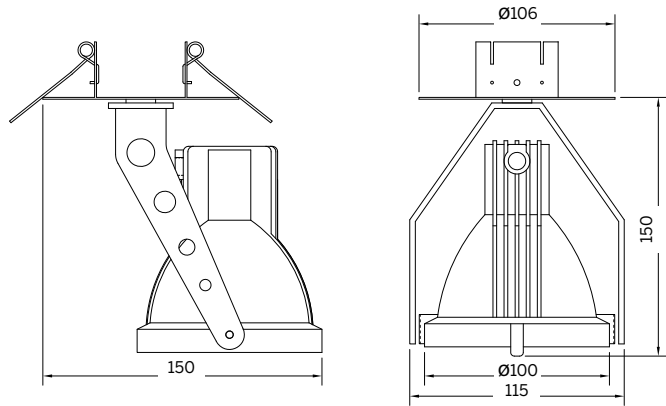


SURFACE MOUNTED

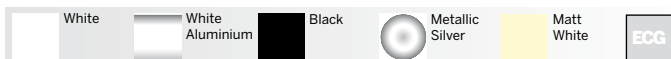
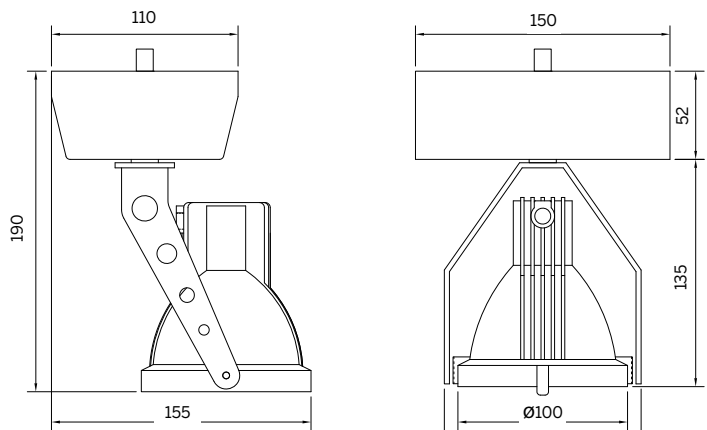
Metal Halide



lamp	article no.	voltage	beam angle
35W	Picco PT	230V	14°, 24°, 34°, 70°
70W			14°, 24°, 34°, 70°



lamp	article no.	voltage	beam angle
35W	Picco E, JA	230V	14°, 24°, 34°, 70°
70W			14°, 24°, 34°, 70°



Other colours available on request