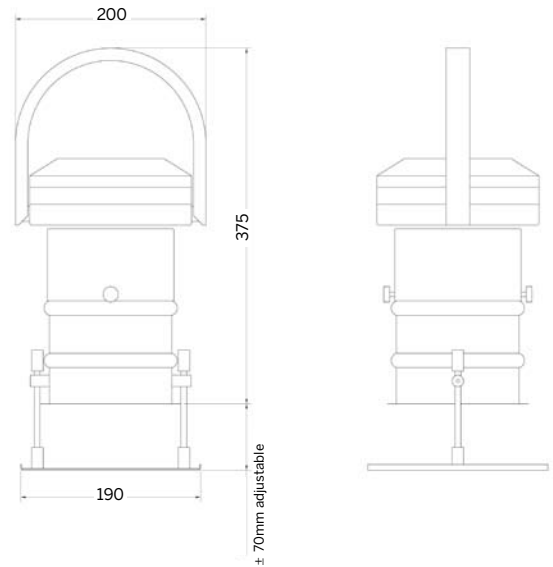


Metal Halide

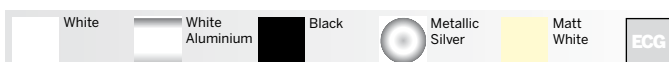
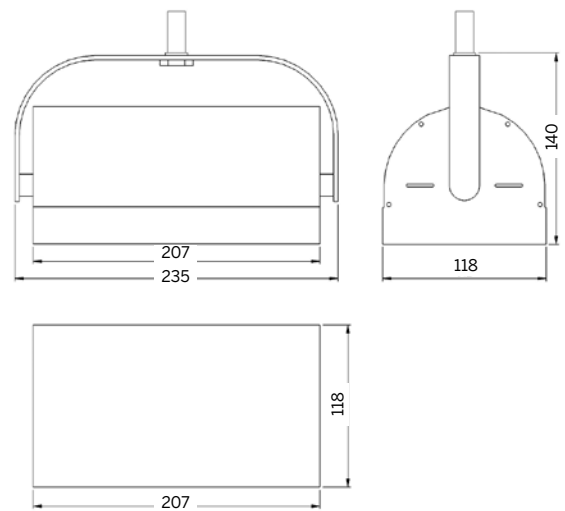


lamp	article no.	voltage	beam angle
35W	Hydra F-PXS	230V	12°, 24°, 36°, 60°
70W			12°, 24°, 36°, 60°

Also available for low voltage application



lamp	article no.	voltage	beam angle
70W	Alpha M, JA, REM	230V	100°, 115°
150W			100°, 115°



Other colours available on request