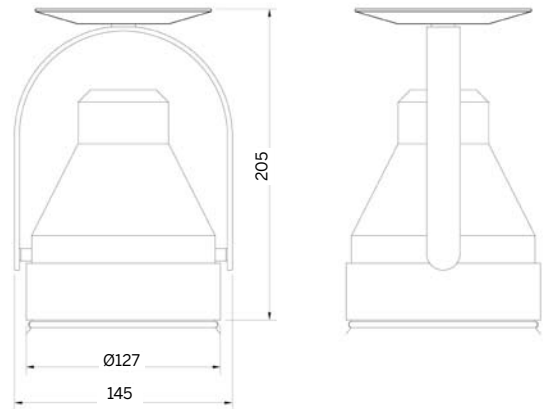


SURFACE MOUNTED

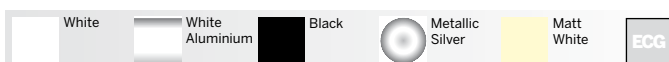
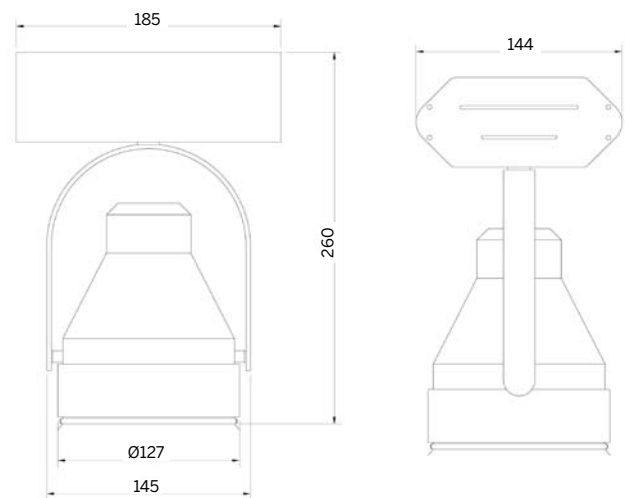
Metal Halide



lamp	article no.	voltage	beam angle
35W	Alpha BF-PXS	230V	12°, 24°, 36° 60°
70W			12°, 24°, 36° 60°



lamp	article no.	voltage	beam angle
35W	Alpha BF, JA, REM	230V	12°, 24°, 36° 60°
70W			12°, 24°, 36° 60°



Other colours available on request