

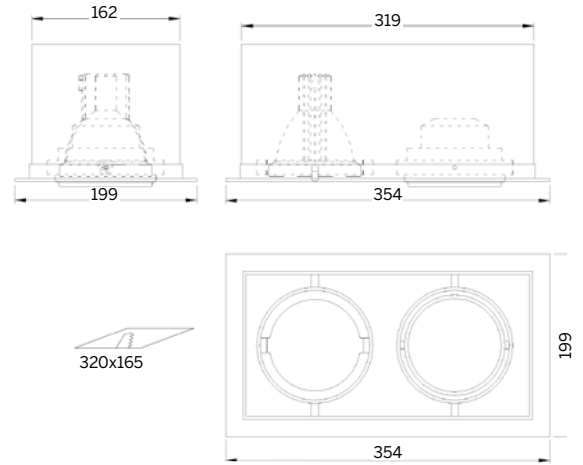



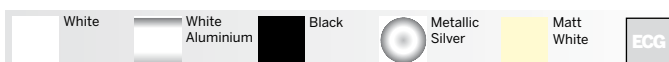
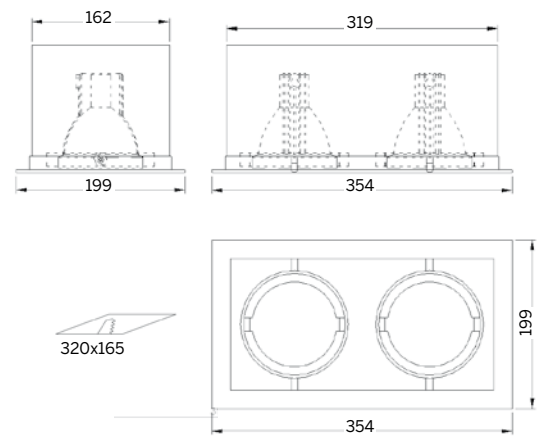
# RECESSED

## ■ Metal Halide

	lamp	article no.	voltage	beam angle
	35W - 90W	Taurus PFN	230V	8°; 24°; 34°; 70°
	35W			14°; 24°; 34°; 70°
	70W			14°; 24°; 34°; 70°



	lamp	article no.	voltage	beam angle
	35W	Taurus 2PF	230V	14°; 24°; 34°; 70°
	70W			14°; 24°; 34°; 70°



Other colours available on request