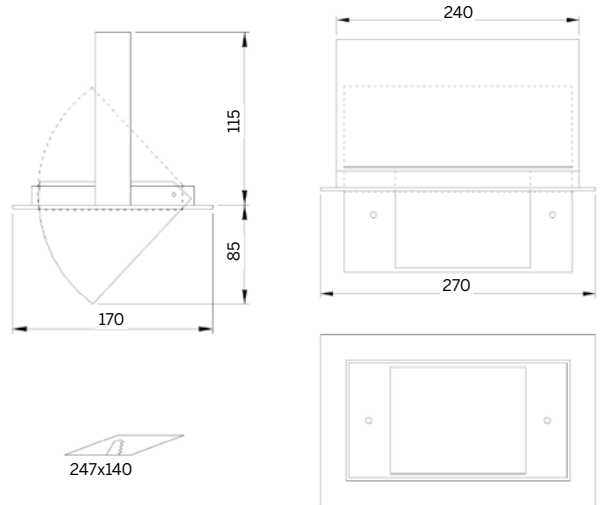


RECESSED

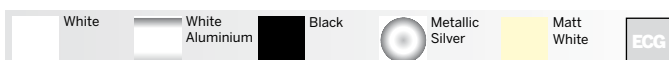
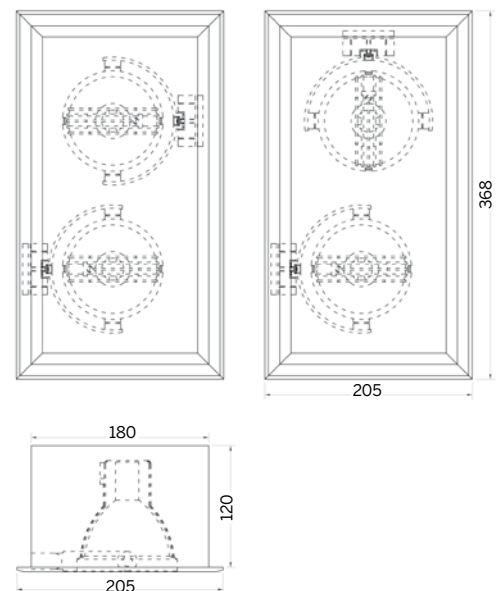
■ Metal Halide



lamp	article no.	voltage	beam angle
70W	RD 94 MH	230V	115° / 100°
150W			115° / 100°



lamp	article no.	voltage	beam angle
35W, 70W	Corona X2PF	230V	14°, 24°, 34°, 70°
35W, 70W	Corona X3PF	230V	14°, 24°, 34°, 70°
35W, 70W	Corona XPF	230V	14°, 24°, 34°, 70°



Other colours available on request