
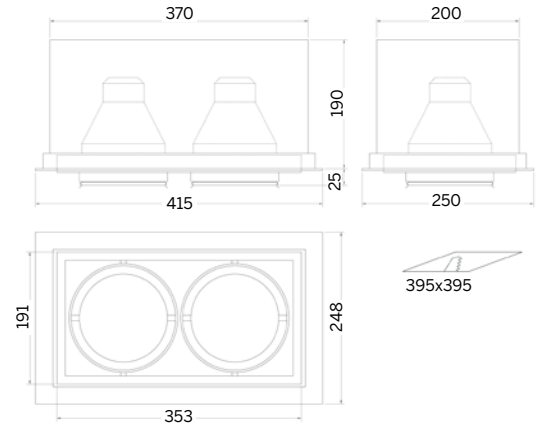



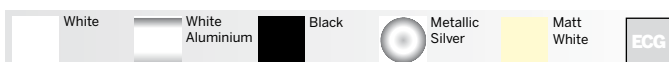
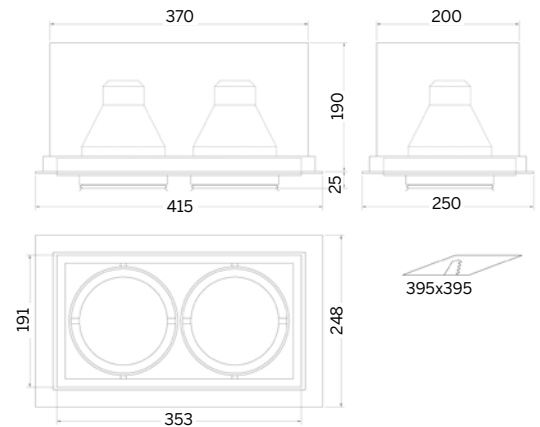
RECESSED

■ Metal Halide

	lamp	article no.	voltage	beam angle
	35W	Beta 2-BF	230V	12°, 24°, 36°, 60°
	70W			12°, 24°, 36°, 60°



	lamp	article no.	voltage	beam angle
	35W	Beta 2-PF	230V	14°, 24°, 34°, 70°
	70W			14°, 24°, 34°, 70°



Other colours available on request